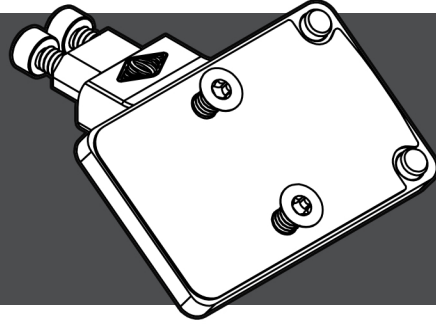




REPTILIA®

AUS OFFSET RMR INSTALLATION



IMPORTANT ENSURE YOUR FIREARM IS UNLOADED AND CLEARED PRIOR TO INSTALLING ANY ACCESSORIES. IF YOU HAVE ANY DOUBTS OR QUESTIONS ABOUT THESE INSTALLATION INSTRUCTIONS, WE RECOMMEND YOU HAVE THE WORK DONE BY A QUALIFIED GUNSMITH.

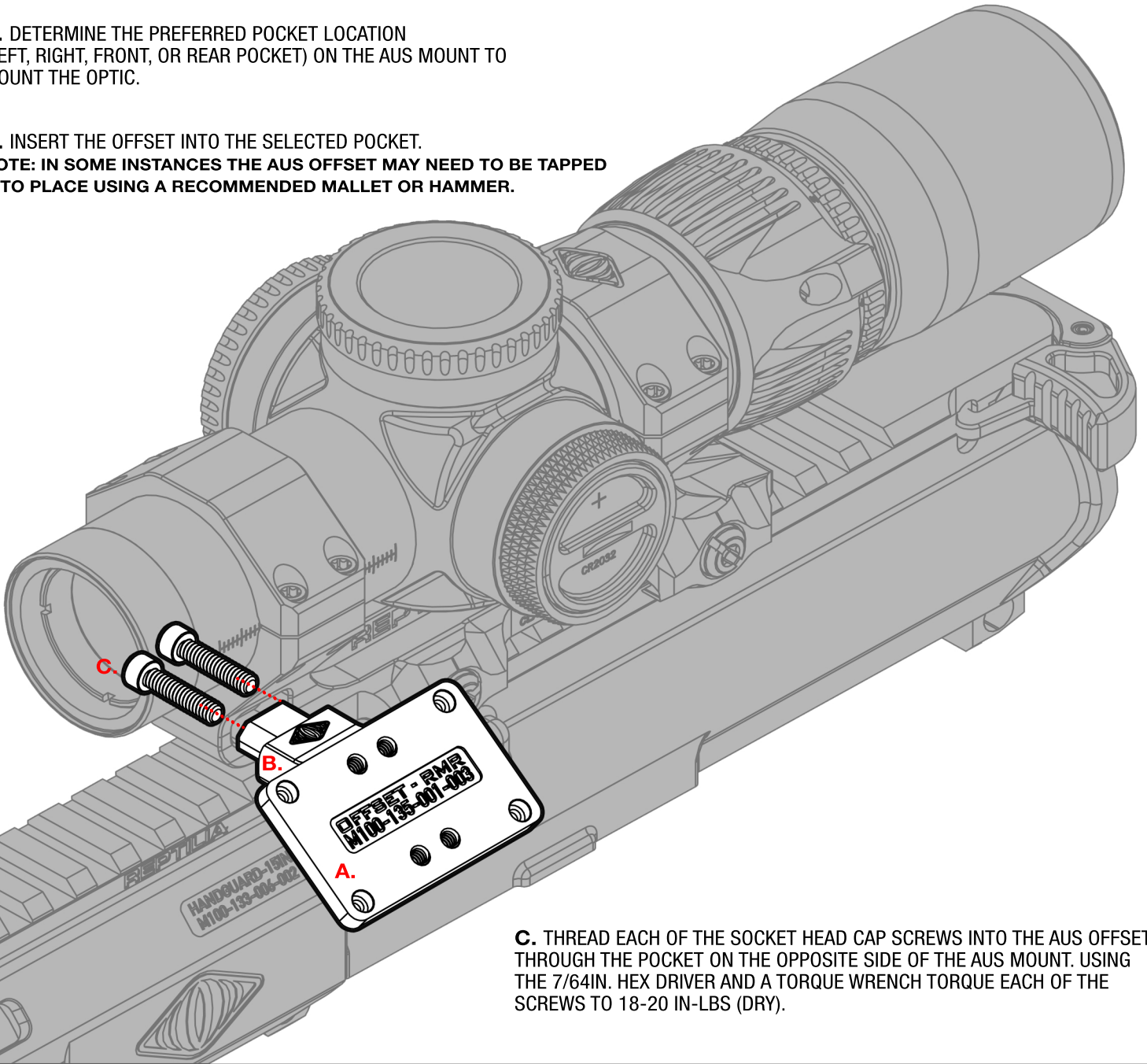
TOOL(S) REQUIRED

7/64in. HEX DRIVER | T10 TORX (STAR KEY) DRIVER - FOR REPTILIA RMR FASTENERS
TORQUE WRENCH (In-Lbs) | RUBBER Mallet/PLASTIC OR BRASS HAMMER | RIFLE SUPPORT
OPTIC MANUFACTURERS RECOMMENDED TOOLS

NOTE: AUS OFFSET'S ARE ONLY COMPATIBLE WITH REPTILIA AUS MOUNTS.

A. DETERMINE THE PREFERRED POCKET LOCATION (LEFT, RIGHT, FRONT, OR REAR POCKET) ON THE AUS MOUNT TO MOUNT THE OPTIC.

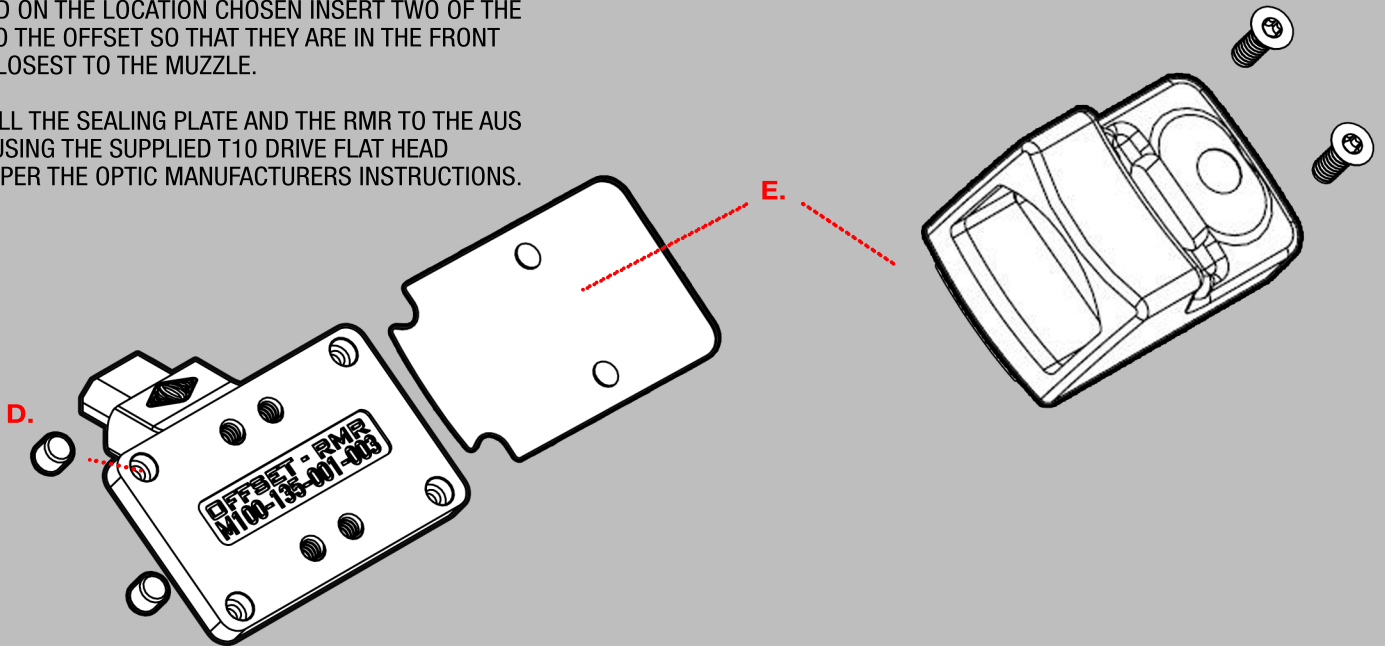
**B. INSERT THE OFFSET INTO THE SELECTED POCKET.
NOTE: IN SOME INSTANCES THE AUS OFFSET MAY NEED TO BE TAPPED INTO PLACE USING A RECOMMENDED Mallet OR HAMMER.**



C. THREAD EACH OF THE SOCKET HEAD CAP SCREWS INTO THE AUS OFFSET THROUGH THE POCKET ON THE OPPOSITE SIDE OF THE AUS MOUNT. USING THE 7/64IN. HEX DRIVER AND A TORQUE WRENCH TORQUE EACH OF THE SCREWS TO 18-20 IN-LBS (DRY).

D. BASED ON THE LOCATION CHOSEN INSERT TWO OF THE PINS INTO THE OFFSET SO THAT THEY ARE IN THE FRONT HOLES CLOSEST TO THE MUZZLE.

E. INSTALL THE SEALING PLATE AND THE RMR TO THE AUS OFFSET USING THE SUPPLIED T10 DRIVE FLAT HEAD SCREWS PER THE OPTIC MANUFACTURERS INSTRUCTIONS.



NOTE: 4 PINS ARE PROVIDED IN CASE OF ACCIDENTAL LOSS OF ONE OF THEM

