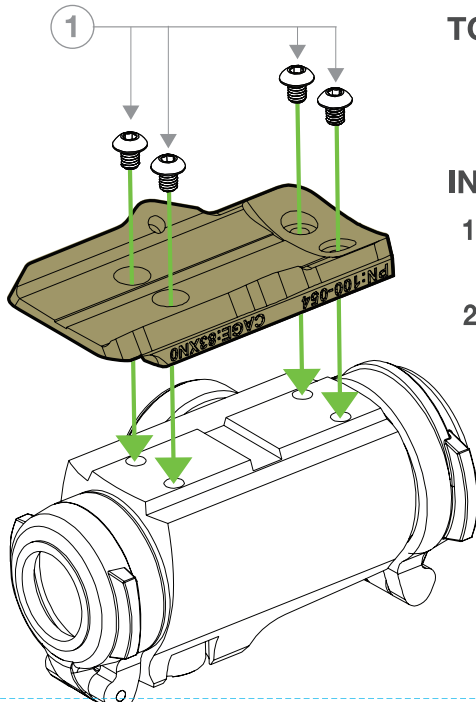


SADDLE™ INSTALLATION

IMPORTANT

- ▲ **ENSURE YOUR FIREARM IS UNLOADED AND CLEARED PRIOR TO INSTALLING ANY ACCESSORIES.**
- ▲ **IF YOU HAVE ANY DOUBTS OR QUESTIONS ABOUT THESE INSTALLATION INSTRUCTIONS, WE RECOMMEND YOU HAVE THE WORK DONE BY A QUALIFIED GUNSMITH.**



TOOL(S) REQUIRED

- 2mm hex L-key or driver
- Optional torque wrench (in-lbs increments)
- Included thread sealer Loctite™ 243 (blue)

INSTALLATION

1. Place the Saddle on against the base of the Aimpoint Micro and align the screw holes.
2. Place a small dot of provided thread lock on each screw(1) thread.
3. Install screws in an “X” pattern. Do not apply final torque until all screws are installed.

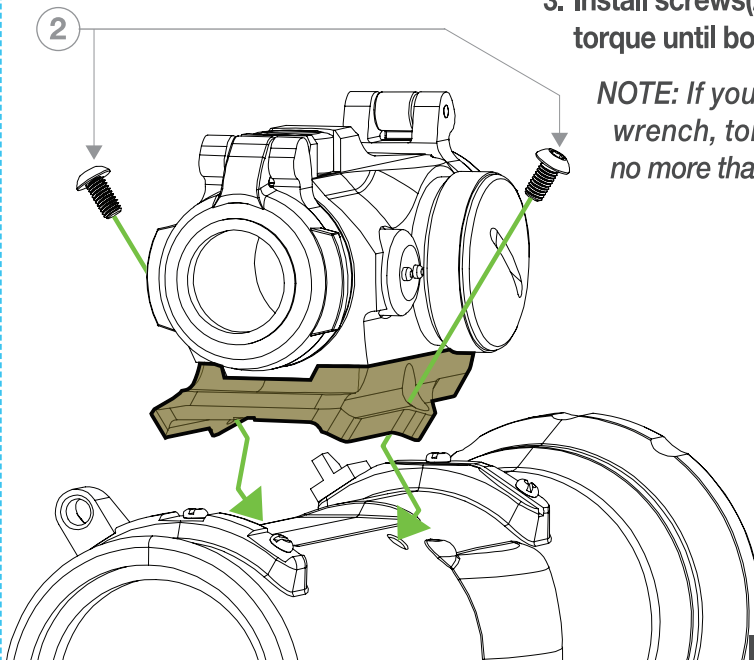
NOTE: If you are using a torque wrench, torque each screw to 12 in-lbs.

FLIP ←

INSTALLATION (continued)

1. Place the Saddle with Aimpoint Micro installed in mounting location of ELCAN SpecterDR and align the screw holes.
2. Place a small dot of provided thread lock on each screw(2) thread.
3. Install screws(2). Do not apply final torque until both screws are installed .

NOTE: If you are using a torque wrench, torque each screw to no more than 9 in-lbs.



REPTILIACORP.COM